



The 31st IFSCC Congress 2020 Yokohama Exhibition Prospectus

Date : October 20 – 23 2020

Venue : PACIFICO Yokohama

HOST : The Society of Cosmetic Chemists of Japan

Official Website : <http://ifsc2020.com/>



Welcome Message



New possibilities are created when new technologies and new materials from around the world come together. These new possibilities are something beyond our imagination; something beyond our boundaries. What happens when a rich diversity of cultures and traditions meet? New ideas, new hope, and new beauty are born. A new page in the history of cosmetics will be written. Come and join us and witness this moment in the beautiful city of Yokohama.

The Society of Cosmetic Chemists of Japan (SCCJ), the host of the Congress of 2020, is an academic society with a membership of over 1,600 chemists and a history of over 70 years. We have had the pleasure to host the IFSCC Congress three times. As before, we are fully committed to welcoming you and making the Congress of 2020 another successful and fruitful event.

Dear fellow cosmetic scientists around the world, let us meet in Yokohama in 2020 and exchange ideas in order to push the boundaries of cosmetics science. Let us join hands to create more beauty and happiness in the world. Beauty makes people happy; happiness makes people beautiful. With a most sincere heart, we are looking forward to seeing you in Yokohama in 2020.

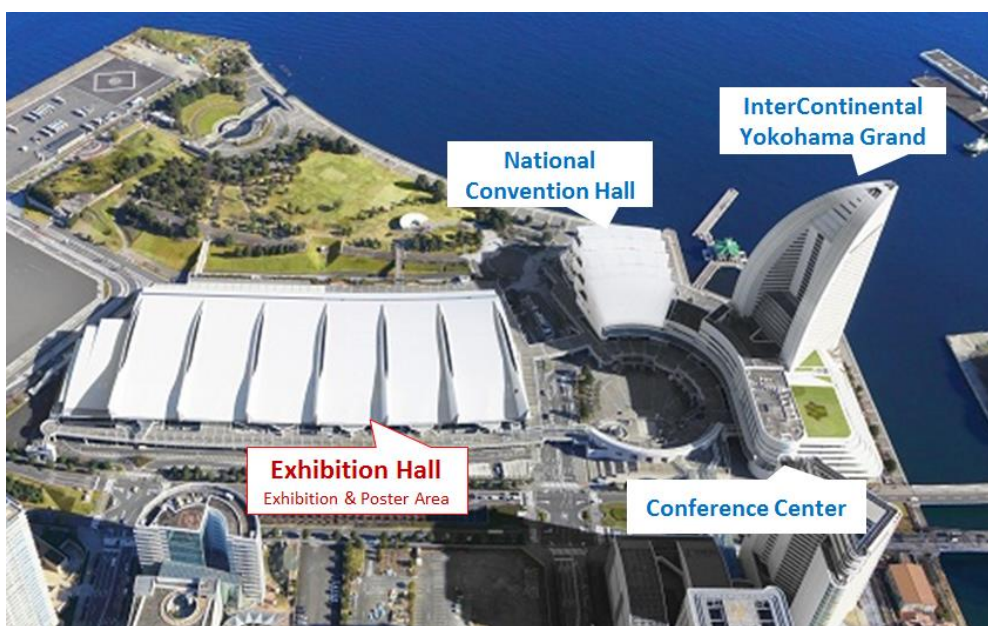
Yoichi Shimatani
President of the Organizing Committee
of the IFSCC Congress 2020 Yokohama

The Theme of the 31st IFSCC Congress 2020 Yokohama is
“Beauty & Happiness - Pushing Boundaries”

General Information



- **EVENT :** The 31st IFSCC Congress 2020 Yokohama
- **HOST :** The Society of Cosmetic Chemists of Japan (SCCJ)
International Federation of Societies of Cosmetic Chemists (IFSCC)
- **DATE :** October 20 – 23, 2020
(Setting up: October 20) (Exhibition: October 21-23)
- **EXHIBITION :** PACIFICO Yokohama Exhibition Hall A&B



■ PARTICIPANTS :

Approximate 2,000 participants among many aspects of the cosmetic industry (e.g. staff, researcher, educator, student, employee, etc.) from all over the world will be expected to attend.

■ EXPECTED EXHIBITORS' INDUSTRY :

Cosmetic raw-materials, Fragrance, Packages, Manufacturing equipment/Measuring devices, Cosmetic tools, OEM, Press, Contract services for Analysis & Testing, etc.

■ OFFICIAL LANGUAGE :

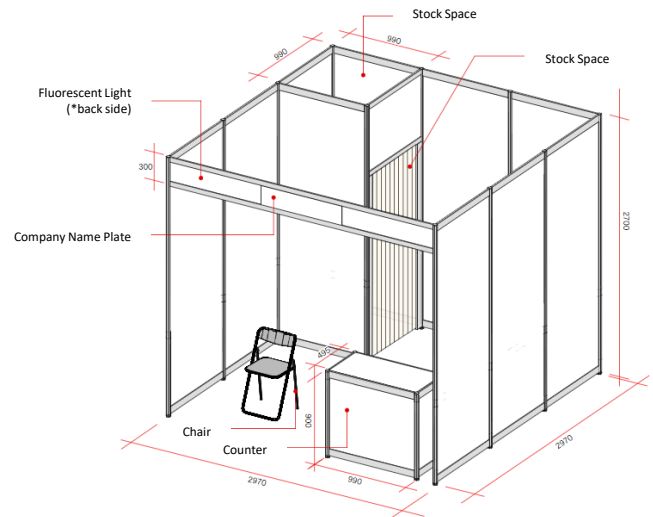
English. All parts of IFSCC Congress 2020 Yokohama will be in English without interpretations to any other languages.

A Package **Early : JPY 380,000** **Late : JPY 400,000 / one booth**

*Tax is included

This will include :

- Exhibition booth (size: W3.0m × D3.0m)
- Shell Scheme frame
- Fluorescent Light x2
- Two electrical outlets + electricity (up to 500w single-phase 100 V)
- Company Name Plate
- Stock Space with a curtain
- Counter x1, Chair x1
- Punch Carpet (within a booth)
- Exhibitor badges x3
(ONLY valid to enter the Exhibition Area)
(Contact Exhibition Secretariat if more badge needed)



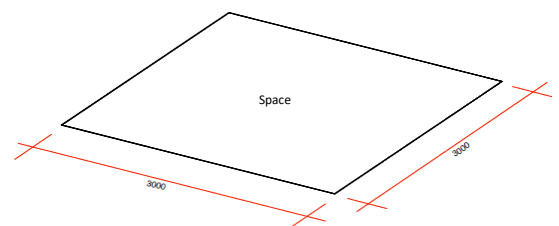
- * An exhibit is able to apply max 4 booths.
- * For an exhibit using multiple booths, 1, 2 or 4 booths will be available. (Applying for 3 booths is VOIDED)
- * Please refrain from using nails, thumbtacks, or double-sided tape on any of the system panels. If your exhibit is lightweight, use Velcro tape, and if it is heavy, use a hanging metal fitting.
- * For the basic work for an exhibit using multiple booths, we will separately make adjustments with respective exhibitor applicants.
- * At the Exhibitor Meeting, Optional equipment will be guided from the Exhibition Secretariat.

Space ONLY **Early : JPY 330,000** **Late : JPY 350,000 / one space**

*Tax is included

This will include :

- Exhibition space (size: W3.0m × D3.0m)
- An electricity (up to 500w single-phase 100 V)
- Exhibitor badges x3
(ONLY valid to enter the Exhibition Area)
(Contact Exhibition Secretariat if more badge needed)



- * An exhibit is able to apply max 4 booths.
- * For an exhibit using multiple booths, 1, 2 or 4 booths will be available. (Applying for 3 booths is VOIDED)
- * Using the designated constructor for IFSCC Congress 2020 Yokohama is recommended.

B Package

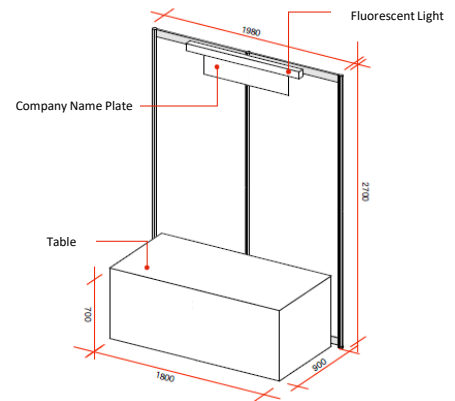
Early : JPY 100,000

Late : JPY 120,000 / one booth

*Tax is included

This will include :

- Exhibition booth (size: W2.0m × D1.0m)
 - Panel (size: W2.0m × H2.7m)
 - Fluorescent Light x1
 - Company Name Plate
 - Long table x1
 - Exhibitor badges x3
- (ONLY valid to enter the Exhibition Area)
(Contact Exhibition Secretariat if more badge needed)



- * An exhibit is able to apply only 1 booth. (Applying for multiple booths is NOT accepted)
- * Please refrain from using nails, thumbtacks, or double-sided tape on any of the system panels. If your exhibit is lightweight, use Velcro tape, and if it is heavy, use a hanging metal fitting.
- * Sponsoring or supporting organization for IFSCC Congress 2020 Yokohama will be able to use this package for free.

● Exhibition Schedule (tentative)

Setting up

October 19	09:00-17:00	Construction
October 20	09:00-17:00	Exhibit's setting up

Exhibition Opening Hours

October 21	09:00-17:00
October 22	09:00-17:00
October 23	09:00-16:00

Dismantling

October 23	16:00-18:00
------------	-------------

● Exhibitors Technical Manual

An Exhibitor's Technical Manual outlining all technical aspects of exhibiting will be circulated 4 months prior to the Congress. It will include the following:

- Technical details about the Venue
- Final exhibition details and information
- Contractor details
- Services available to exhibitors and order forms

● Exhibitor Registration

All exhibitors are required to register individual names and will be given Exhibitor badges with displaying the exhibiting company name.

This badge is ONLY valid to enter the Exhibition Area and will not be allowed to enter the Congress venue including the Lunch · Break Area and Poster Session Area.

● Hospitality Room (additional payment is required)

Hospitality Rooms will be prepared for exhibitors. The number of the hospitality rooms must be limited and an exhibitor who completes payment for their exhibition, they will be able to choose one of the hospitality rooms. (First come, first served) Please contact the Exhibition Secretariat if exhibitors need more details.

Caution for Exhibition

- Any purchase and sale will NOT be allowed in a Hospitality Room as well as in the Exhibition Area.
- Any alcohol will NOT be allowed while IFSCC Congress 2020 Yokohama except social events.
- Dangerous materials and products (e.g. liquefied petroleum gas or high pressure gas, gasoline, machine oil, etc.) in the Exhibition Area will not be allowed.
- ONLY exhibitors will be allowed to rent the Hospitality Rooms.
- Exhibitors who cancel their booths will not be able to rent the Hospitality Room.
- Reservation for a Hospitality Room should be full exhibition days (Prohibited a daily use)
- Food and Beverage (F&B) in a Hospitality Room should be reserved by each exhibitor and arranged by the designated catering hotel. (The InterContinental Yokohama Grand)

Apply / Payment



Early Application : October 1, 2019 ~ December 20, 2019 (JST)

Late Application : January 6, 2020 ~ April 30, 2020 (JST)

How to Apply

Please fill the application form and send it back by e-mail to the following e-mail address.

Exhibition at the IFSCC Congress 2020 Yokohama

(c/o Japan Convention Services, Inc)

14F Daido Seimei Kasumigaseki Bldg. 1-4-2, Chiyoda-ku, Tokyo, JAPAN

Email : ifsc2020-ex@convention.co.jp

- * The Exhibition Secretariat will use exhibitors company names following on the application form. Please check the details before submission. (e.g. upper/lower case)
- * After submission of the application form, the Exhibition Secretariat will contact applicant. If applicant or any other information are changed, please report to the Exhibition Secretariat immediately.
- * The exhibitor application will be completed after the Exhibition Secretariat receives the payment. No payment within the due date on the invoice issued by the Exhibition Secretariat causes that the Exhibition Secretariat cancels the exhibitor' application.
- * If applicants submit the exhibition form after the number of booths exceeds the limit, the applicants must be on the waiting list. (First come, first served)
- * Booth allocation will be decided by the Exhibition Secretariat and exhibitors will NOT select each booth allocation. The floor plan will not be available to any exhibitors before the Exhibitor Meeting planning to be held in June, 2020.

Payment Methods

An invoice will be sent out respectively from the Exhibition Secretariat at IFSCC Congress 2020 Yokohama, after the application form is completed.

All payment must be made in Japanese Yen (JPY) and please be sure to transfer the payment to the designated bank account without delay before the respective deadlines.

The transaction fee is requested to be payed by the applicants.

Cancellation/Reduction Policy

Cancellation or changes to your original booking must be submitted in writing to the Exhibition Secretariat at IFSCC Congress 2020 Yokohama. Cancellation fee must be occurred after payment completes.

For cancellation made:

- **From October 1, 2019 to February 29, 2020:**
30% of the total cost of each item will be retained
- **From March 1, 2020 to April 30, 2020:**
50 % of the total cost of each item will be retained
- **From May 1, 2020:**
100 % of the total cost of each item will be retained

